

## OVERVIEW: RB09 CHAIN CONTROL SYSTEM INFORMATION - S45

Our new premium range RB09 Chain Control System, features refined advancements offering unique function & aesthetical design improvements.

## AESTHETICAL FEATURES

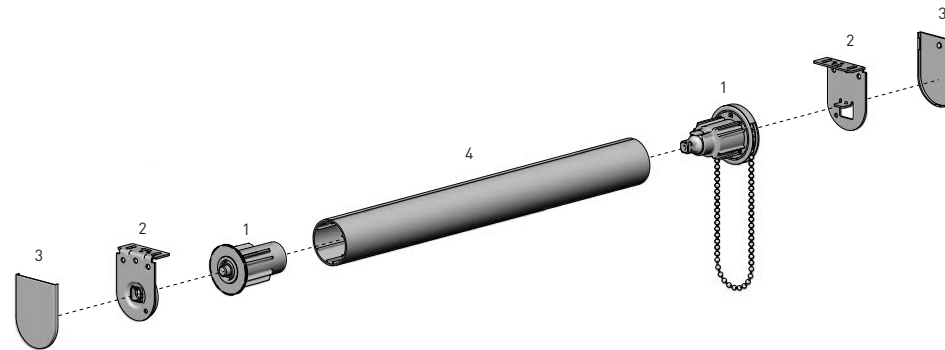
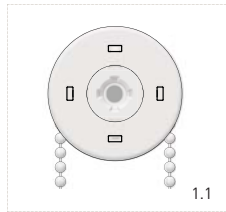
- High polish finish
- Reduced light gaps

## ASSEMBLY / PRODUCTION FEATURES

- New two piece snap-lock winder assembly
- 10mm Idler extension, in 1mm increments
- Comfort grip release wheel
- Advanced snap lock booster fitment
- Self-locating installation feature (see figure 1.1)

## FUNCTIONAL BENEFITS

- Smoother operation
- Increased load capacity
- Patent protected



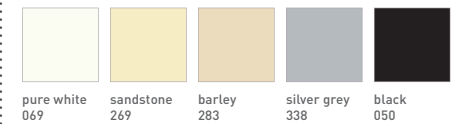
## SYSTEM INDEX

- 1 RB09 Chain Winder & Extended Idler - S45  
RB09-4501-xxx000
- 2 LX | Easy-Lock Installation Bracket - 40 & 55p  
RB09-0351-xxx0##
- 3 LX / VX Bracket Cover Cap - 40 & 55p  
RB08-4151-xxx0##
- 4 Aluminium Tube - S45 (LIGHT / STANDARD / HD)  
RB93-044#-000580

xxx= colour

## = size

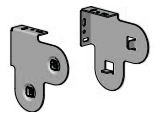
## COLOUR RANGE



## SYSTEM OPTIONS

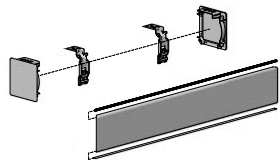
EASY-LIFT SPRING  
ASSIST BOOSTER

COMBO BRACKET



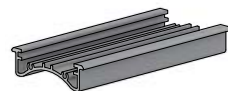
## ADD ON SYSTEMS

FRS100 VALANCE SYSTEM



BK04 Pg.44

MOUNTING RAIL



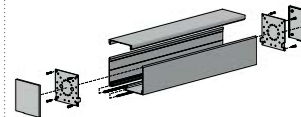
BK04 Pg.16

EASY-LINK™



BK04 Pg.40

SQUARE BOX



BK05 Pg.14

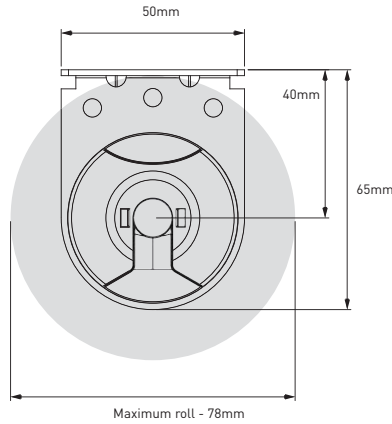
INTERNAL WIRE GUIDE



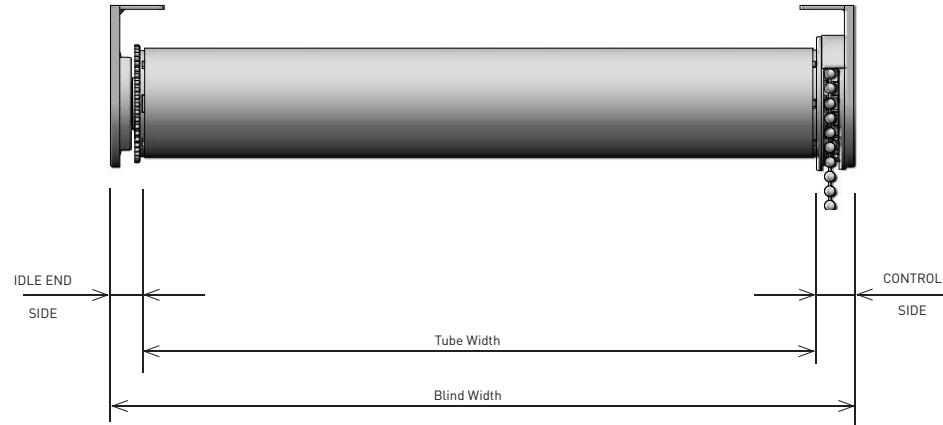
BK04 Pg.50

**SPECIFICATIONS**

**MAX ROLL**



**DEDUCTIONS**



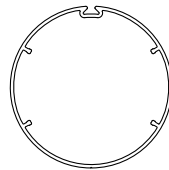
	IDLE END SIDE	CONTROL SIDE	OVERALL DEDUCTION
LX BRACKETS - with covers	14mm [0.55"]	15mm [0.59"]	29mm [1.14"]
LX BRACKETS - withOUT covers	13mm [0.51"]	13mm [0.51"]	26mm [1.02"]

**RECOMMENDED MAXIMUM WIDTH**

TUBE	WIDTH
S45 LIGHT	2300mm (1800mm drop)
S45 STANDARD	2550mm (1800mm drop)
S45 HEAVY DUTY	3000mm (1800mm drop)

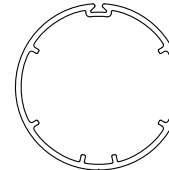
\*Based on fabric weight of 450 grams per square meter, and standard base bar.

**ALUMINIUM TUBES**



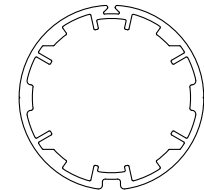
**S45 LIGHT**  
T-Spline Tube

CODE: RB93-0443-000580  
RB93-6443-000580 (with D/S tape)  
O.D: 43mm  
Length: 5.8metres



**S45 STANDARD**  
T-Spline Tube

CODE: RB93-0444-000580  
RB93-6444-000580 (with D/S tape)  
O.D: 44mm  
Length: 5.8metres



**S45 HEAVY DUTY**  
T-Spline Tube

CODE: RB93-0449-000580  
RB93-6449-000580 (with D/S tape)  
O.D: 49mm  
Length: 5.8metres