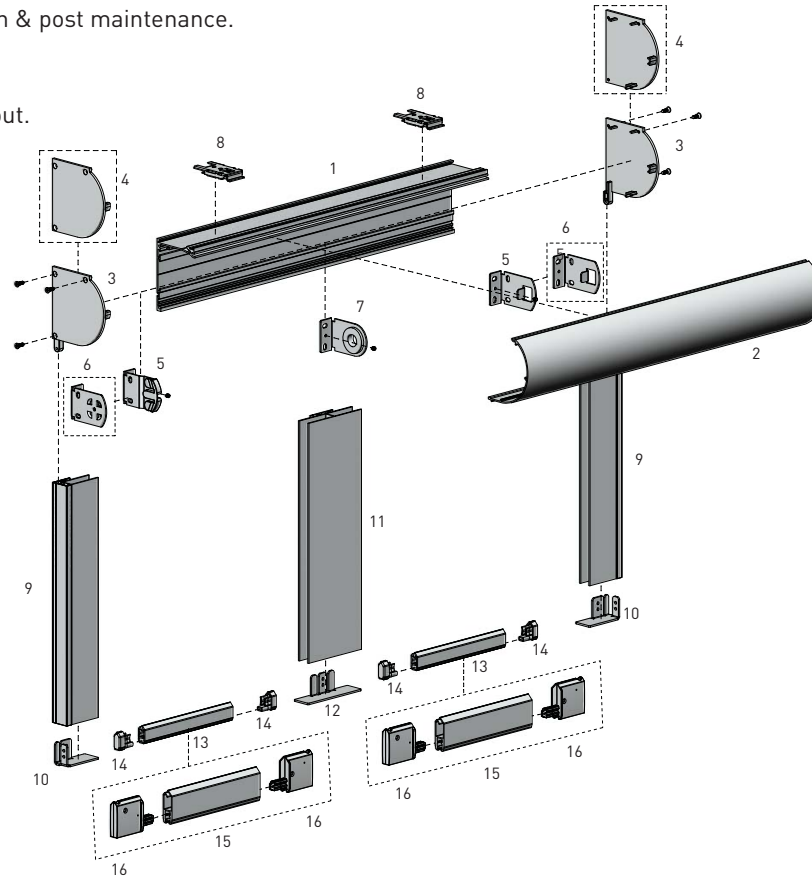


OVERVIEW: BOX 90 / BLOCKOUT SYSTEM DETAILS

The Box 90 System is a fully enclosed aluminium cassette box. With its smooth finish, it provides an elegant facade to the various types of roller shade systems. Its versatility is highlighted by its ability to achieve a wider range of shade sizes including much longer drops.

FEATURES/BENEFITS

- Available in both anodised and powder coated colours.
- Removable Snap Lock Covers allowing simple blind installation & post maintenance.
- Colour coded End Caps with screws for precise fixing.
- Both recess/ceiling and face/wall fix installation.
- Compatible Clip-on Side Guide extrusion providing light blockout.
- Unique 2pc Clip-On Side Guide allows for easy recess/ceiling or face/wall installation.
- Colour Coded Steel Bottom Caps for Side Guide extrusion.
- Intermediate Guide for linked blinds.
- Colour coded rectangular Bottom Rails.
- Compatible with Easy-Lock range.
- 90mm (3.54") projection for a wider range of shade sizes.
- Spring loaded brackets for recess/ ceiling fix applications.



SYSTEM INDEX | Standard Components

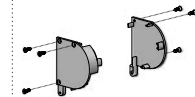
1	BOX 90 Box Back
2	BOX 90 Box Cover
3	BOX 90 End Cover Set & Screws with ears - AC
4	BOX 90 End Cover Set & Screws without ears - AC
5	Easy-Lock™ Brackets - 40mm + Grub Screw
6	Easy-Lift™ Brackets - 40mm + Grub Screw
7	Easy-Link™ Bracket - 40mm + Grub Screw
8	BOX 90 Easy-Lock™ T/F Support Bracket
9	Spring Ceiling Clip

SYSTEM INDEX | Blockout Side Guides

10	Blockout 17 Side Guide
11	Blockout 17 Side Guide Steel Bottom Cap Set
12	Blockout 17 Intermediate Guide
13	Blockout 17 Intermediate Guide Steel Bottom Cap
14	Flat Bottom Rail
15	Flat Bottom Rail Side/Wire Guide End Cap
16	Weight Bar
17	Weight Bar Side Guide End Caps

SYSTEM OPTIONS

ENCLOSED END COVER SET



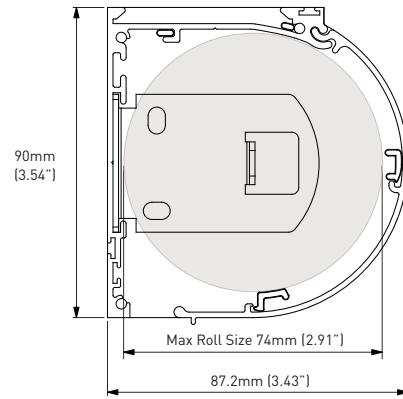
ADD ON SYSTEMS

EASY-LINK SYS45



SPECIFICATIONS

MAX ROLL



DEDUCTIONS

