

OVERVIEW: AUTOMATE WIREFREE S35 SYSTEM DETAILS

The rechargeable wirefree WF S35 Motor is the latest edition to the Automate range. Using the Easy-lock idler it brings the features and benefits of Acmeda's small manual hardware systems to the motor range resulting in a compact, market leading solution for smaller motorised roller shades.

**AESTHETICAL FEATURES**

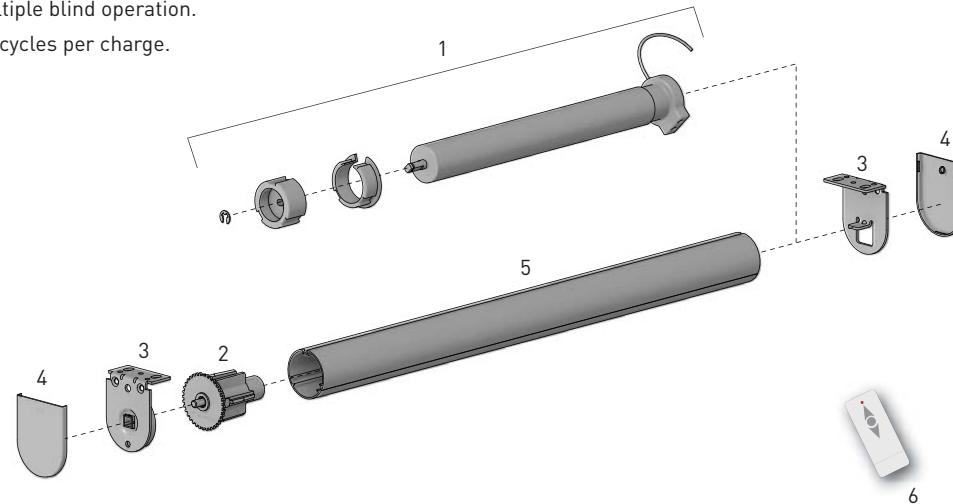
- Slim colour coded aesthetic designed bracketing and end caps.

**ASSEMBLY / PRODUCTION FEATURES**

- Easy-Lock effortless installation.
- No electrical wiring required.

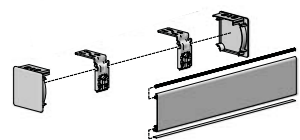
**FUNCTIONAL BENEFITS**

- SINGLE or TWO channel remote option for multiple blind operation.
- Internal rechargeable battery, performing 220 cycles per charge.
- 500 charge battery life span.
- Optional solar powered charger.
- 5 year motor warranty.
- Child Safe.



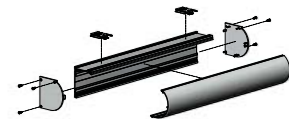
ADD ON SYSTEMS

VALANCE FRS80



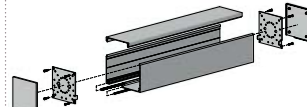
BK05 Pg.44

ROUND BOX 70



BK05 Pg.4

SQUARE BOX 85



BK05 Pg.14

INTERNAL WIRE GUIDE



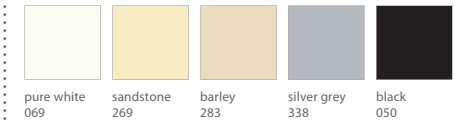
BK04 Pg.50

SYSTEM INDEX

- 1 Automate WF S35 Wirefree Motor Kit  
(Includes drive wheel, clip & crown wheel)  
RB24-3501-190002
- 2 Easy-Lock Auto Idler - S35  
RB08-0501-xxx034
- 3 LX Installation Brackets  
RB08-8345-xxx030
- 4 LX Bracket Cover Caps  
RB08-4141-xxx030
- 5 S35 Aluminium Tube  
RB93-0333-000580
- 6 Automate WF S35 SINGLE Channel Remote  
RB24-9002-06900#

xxx= colour

COLOUR RANGE

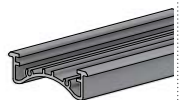


SYSTEM OPTIONS

2 CHANNEL REMOTE



MOUNTING RAIL



MOTOR CHARGER

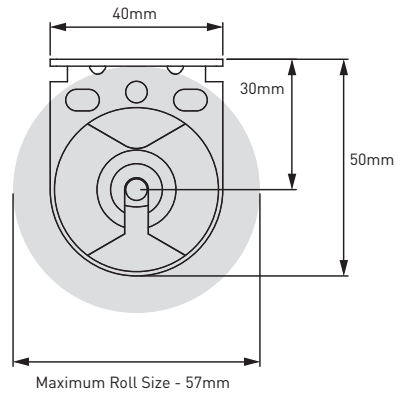


SOLAR POWERED CHARGER

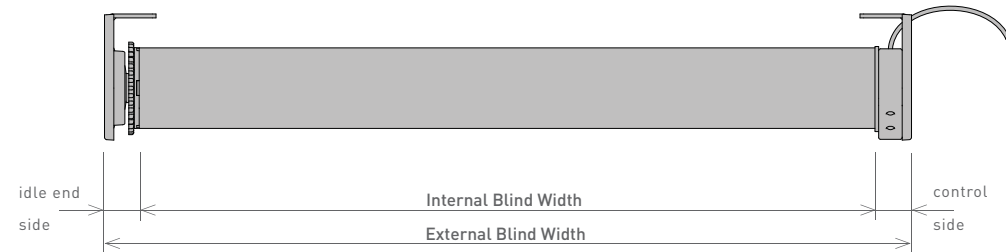


## SPECIFICATIONS: AUTOMATE WIREFREE S35 SYSTEM DETAILS

## MAX ROLL



## DEDUCTIONS



	IDLE END SIDE	CONTROL SIDE	OVERALL DEDUCTION
LX BRACKETS - with covers	14mm (0.55")	15mm (0.59")	29mm (1.14")
LX BRACKETS - withOUT covers	13mm (0.51")	13mm (0.51")	26mm (1.02")

## RECOMMENDED MAXIMUM WIDTH

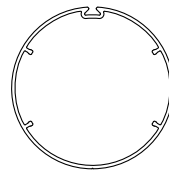
TUBE	WIDTH
S35 STANDARD	1800mm (2400mm drop)
S35 HEAVY DUTY	2000mm (3000mm drop)

\*Based on fabric weight of 450 grams per square meter, and standard base bar.

## TECHNICAL DATA

Volts:	7V
Current:	0.8A
Capacity:	1.1Nm, 25 rpm
Protection class:	IP40
Dimensions:	24mm tubular motor diameter, 375mm length
Frequency:	433.92MHz

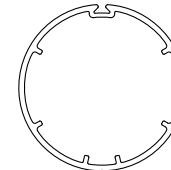
## ALUMINIUM TUBES



## S35 STANDARD

T-Spline Tube

CODE:	RB93-0333-000580
	RB93-6333-000580 (with D/S tape)
O.D:	33mm
Length:	5.8metres



## S35 HEAVY DUTY

T-Spline Tube

CODE:	RB93-0335-000580
	RB93-6335-000580 (with D/S tape)
O.D:	34mm
Length:	5.8metres